

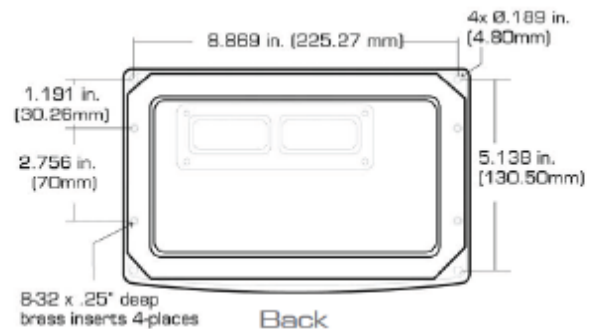
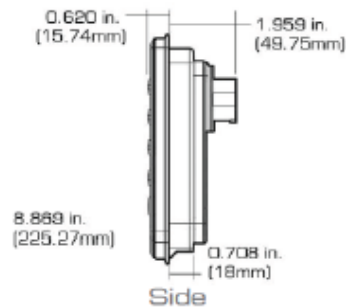
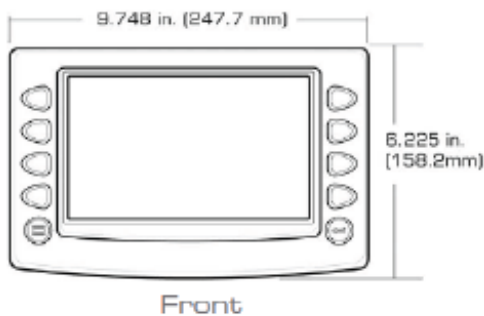
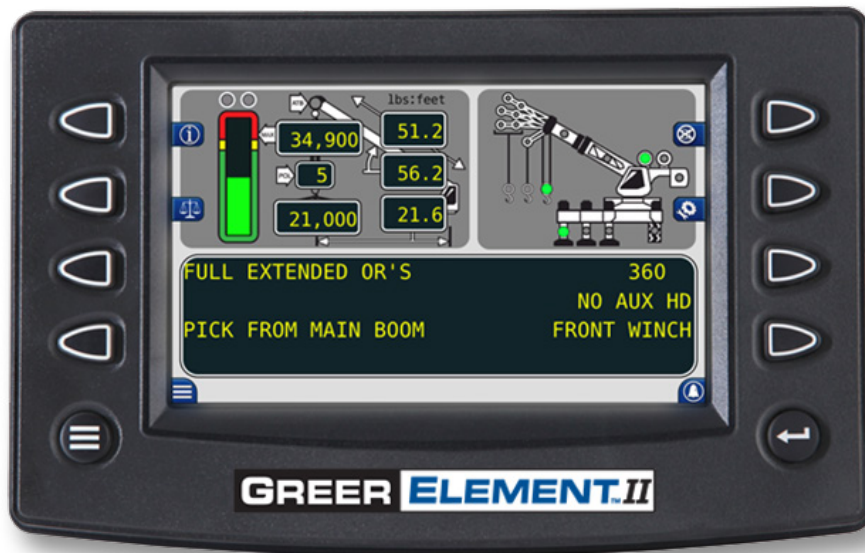
Greer Element II Display

WVGA graphics display system for sharper, clearer images. Optically bonded and glare free 7" screen. J1939 CAN enabled.



Features, Benefits and Dimensions

- Multiple screens to view area, crane configuration, diagnostics, gauge readings and other sensor data
- Customizable configuration
- Multiple language menu
- Imperial and metric units
- Entire display is IP67 waterproof
- Visual and audible alarm outputs
- Lighted-path graphics
- Sunlight readable LCD
- Dash or RAM mountable



Technical Specs

Display:	Bonded print/glare-free glass and 7" (178mm) color transmissive TFT LCD
Resolution:	WVGA, 800 x 480 pixels, 16-bit color
Viewing Angle:	±65° horizontal, +55°/-65° vertical
Orientation:	Landscape
Backlighting:	LED, 1000 nit typical brightness 40,000 hr. minimum
Video Input:	Optional
Contrast Ratio:	400:1
Refresh Rate:	60 Hz
Operating Voltage:	9-32 VDC, reverse polarity protected
Connectors:	2 AMPSEAL 23 Pin (AMP 770680-1 and AMP 770680-4)
Keyboard:	10 tactile pushbuttons with white LED backlight
Communications:	(2) CAN 2.0B according to ISO-11898-2; J1939 protocol
Output:	(1) 500mA switched low-side

Environmental Specs

Operating Temperature:	-40°F to +185°F (-40°C to +85°C)
Storage Temperature:	-40°F to +185°F (-40°C to +85°C)
Protection:	IP 67, front and back
Immunity:	SAE J1113, ISO 11452
Electrical:	J1113-2, -4, -11, -13, -21, -26 and -41
Vibration:	Random vibration, 7.86 Grms (5-2000 Hz), 3 axis
Shock:	± 50G in 3 axis
EMC/EMI:	
	- 2004/108/EC and 2006/95/EC directives
	- EN 61000-4-3 (radiated EMF immunity radiated)
	- EN 61000-4-4 (EFT immunity power and I/O lines)
	- EN 61000-4-5 (surges power lines)
	- EN 61000-4-6 (RF immunity)
	- EN 61000-4-8 (magnetic field immunity)
	- EN 60945 (ESD)
	- EN 60945 (conducted emissions)
	- HYBRID EN 60945 CISPR 11 CLASS B (radiated emissions)



dovertwg.com
11135 S. James Avenue
Jenks, OK 74037 USA
918.298.8300